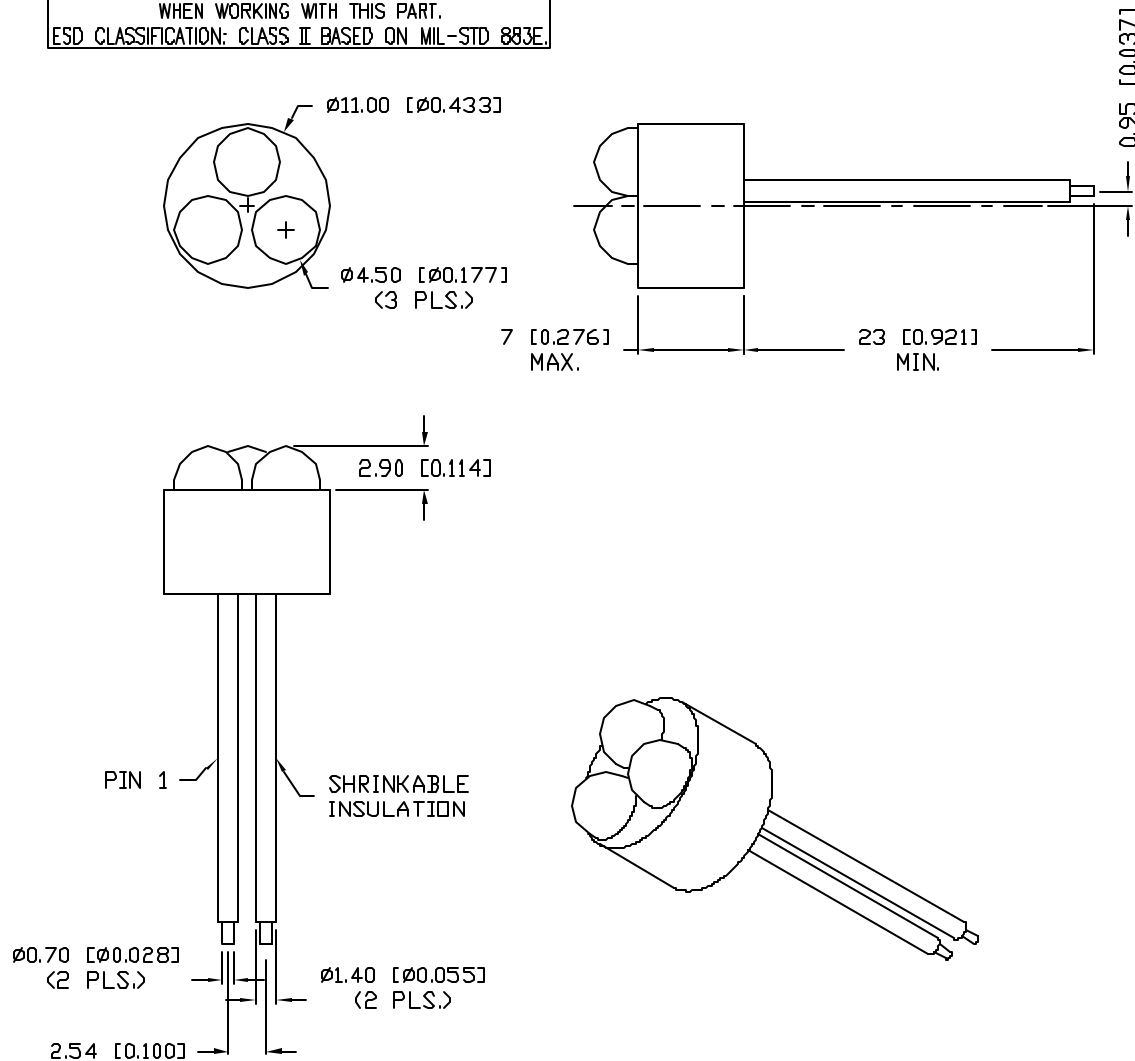


UNCONTROLLED DOCUMENT

PART NUMBER  
SSP-LXC0432UP3

REV.

CAUTION: STATIC SENSITIVE DEVICE  
FOLLOW PROPER E.S.D. HANDLING PROCEDURES  
WHEN WORKING WITH THIS PART.  
ESD CLASSIFICATION: CLASS II BASED ON MIL-STD 883E.



ELECTRO-OPTICAL CHARACTERISTICS  $T_A=25^\circ\text{C}$   $I_f=20\text{mA}$

PARAMETER	MIN	TYP	MAX	UNITS	TEST COND
PEAK WAVELENGTH		525		nm	
FORWARD VOLTAGE		10.5	12.0	$V_f$	
REVERSE VOLTAGE	5.0			$V_r$	$I_r=100\mu\text{A}$
AXIAL INTENSITY *		5000		mcd	$I_f=20\text{mA}$
VIEWING ANGLE		30		$2x$ theta	
EMITTED COLOR:	ULTRA PURE GREEN				
EPOXY LENS FINISH:	WATER CLEAR				

\* INTENSITY PER DIE.

LIMITS OF SAFE OPERATION AT  $25^\circ\text{C}$  PER DIE

PARAMETER	MAX	UNITS
PEAK FORWARD CURRENT*	100	mA
STEADY CURRENT	30	mA
POWER DISSIPATION	98	mW
DERATE FROM $25^\circ\text{C}$	-1.0	$\text{mW}/^\circ\text{C}$
OPERATING, STORAGE TEMP.	-30 TO +70	$^\circ\text{C}$
SOLDERING TEMP.	+260	$^\circ\text{C}$
2.0mm FROM BODY		3 SEC. MAX
* $t < 10\mu\text{S}$		

PIN OUT  
PIN 1  $\circ \rightarrow \rightarrow \rightarrow \rightarrow \circ$  PIN 2

UNCONTROLLED DOCUMENT

\*TOLERANCES PER DECIMAL PRECISION ARE: X= $\pm 1$  ( $\pm 0.039$ ), X,X= $\pm 0.5$  ( $\pm 0.020$ ), X,X,X= $\pm 0.25$  ( $\pm 0.010$ ). LEAD LENGTH= $\pm 0.75$  ( $\pm 0.030$ ), MIN= $\frac{+0.00}{-0.00}$  MAX= $\frac{+0.00}{-0.00}$  DECIMAL PRECISION

REV.

PART NUMBER

SSP-LXC0432UP3

CONFIDENTIAL INFORMATION

THE INFORMATION CONTAINED IN THIS DOCUMENT IS THE PROPERTY OF SUNBRITE LEDS. EXCEPT AS SPECIFICALLY AUTHORIZED IN WRITING BY SUNBRITE LEDS, THE HOLDER OF THIS DOCUMENT SHALL KEEP ALL INFORMATION CONTAINED HEREIN CONFIDENTIAL AND SHALL PROTECT SAME IN WHOLE OR IN PART FROM DISCLOSURE AND DISSEMINATION TO ALL THIRD PARTIES.

RELIABILITY NOTE

OUR MANY YEARS OF EXPERIENCE DATA ACCUMULATION INDICATE THAT SOLDER HEAT IS A MAJOR CAUSE OF EARLY AND FUTURE FAILURE. PLEASE PAY ATTENTION TO YOUR SOLDERING PROCESS.



286 E. HELEN ROAD  
PALATINE, IL 60067-6976  
PHONE: +1.847.359.2790  
FAX: +1.847.359.2867  
WEB: www.sunbriteleds.com

0.43" CIRCULAR, 3 LED CLUSTER,  
525nm InGaN/SiC GREEN LEDES, WATER CLEAR LENS.

DRAWN:  
BC

CHECKED:

APPROVED:

DATE: 1.17.00  
PAGE: 1 OF 1